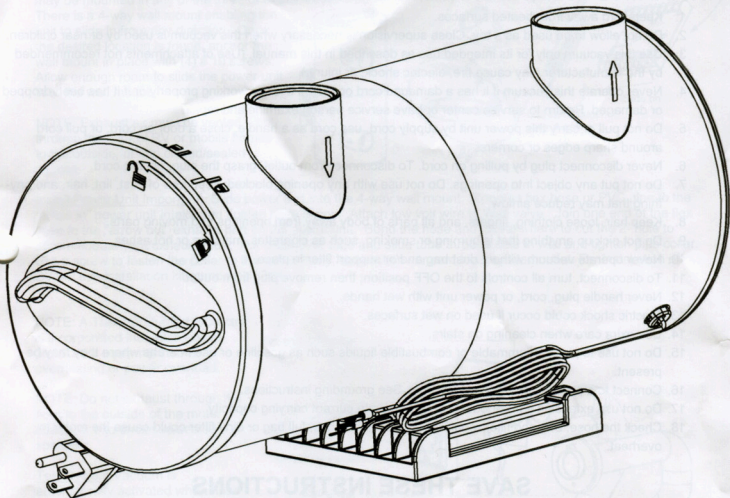


EUREKA

YELLOW JACKET

Compact Central Vac Owners Manual and Installation Instructions



Congratulations on your purchase of the Eureka Yellow Jacket central vacuum system, the ultimate cleaning solution. The Eureka Yellow Jacket central vacuum system is designed to help you efficiently clean and maintain your motor coach or mobile home. To achieve the maximum benefits from your Eureka Yellow Jacket, please read this manual carefully. For further information regarding Eureka Central Vacuums and other innovative products from Eureka, visit www.eureka.com.

Before you use your Eureka Yellow Jacket™ vacuum, read this sheet through carefully. By learning the proper and safe way to use this vacuum, it will give you years of trouble free cleaning performance.

IMPORTANT SAFETY INSTRUCTIONS

When using electrical appliances, basic safety including the following:

Read all instructions before using the vacuum.

NOTE: Your Eureka Yellow Jacket™ Built-In Vacuum is listed and approved by the appropriate agencies for dry pick-up only. To reduce the risk of electrical shock, **DO NOT USE** on wet surfaces.

DANGER Always unplug power unit from the electrical outlet before servicing and cleaning.

WARNING To reduce the risk of burns, fire, electric shock, or injury to persons:

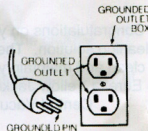
- 1 Keep cord away from heated surfaces.
2. Do not allow to be used as a toy. Close supervision is necessary when this vacuum is used by or near children.
3. Use this vacuum only for its intended use as described in this manual. (Use of attachments not recommended by the manufacturer may cause fire, electric shock, or injury.)
4. Never operate this vacuum if it has a damaged cord or plug, if it is not working properly or if it has been dropped or damaged. Return to service center or have service person examine and repair.
5. Do not pull or carry this power unit by supply cord, use cord as a handle, close a door on cord, or pull cord around sharp edges or corners.
6. Never disconnect plug by pulling on cord. To disconnect from outlet, grasp the plug, not the cord.
7. Do not put any object into openings. Do not use with any opening blocked; keep free of dust, lint, hair and anything that may reduce airflow.
8. Keep hair, loose clothing, fingers, and all parts of body away from openings and moving parts.
9. Do not pick up anything that is burning or smoking, such as cigarettes, matches or hot ashes.
10. Never operate vacuum without dust bag and/or support filter in place.
11. To disconnect, turn all controls to the OFF position; then remove plug from outlet.
12. Never handle plug, cord, or power unit with wet hands.
13. Electric shock could occur if used on wet surfaces.
14. Use extra care when cleaning on stairs.
15. Do not use to pick up flammable or combustible liquids such as gasoline or use in areas where they may be present.
16. Connect to a properly grounded outlet only. See grounding instructions.
17. Do not use extension cord or outlet with inadequate current carrying capacity.
18. Check the hose, bag and filter regularly, as a clogged hose, full bag or dirty filter could cause the motor to overheat.

SAVE THESE INSTRUCTIONS

GROUNDING INSTRUCTIONS - WARNING

This appliance must be grounded, if it should malfunction or breakdown, grounding provides a path of least resistance for electric current to reduce the risk of electric shock. This appliance is equipped with a cord having an equipment-grounding conductor and grounding plug. The plug must be inserted into an appropriate outlet that is properly installed and grounded in accordance with all local codes and ordinances.

WARNING: Improper connection of the equipment-grounding conductor can result in a risk of electric shock. Check with a qualified electrician or service person if you are in doubt as to whether the outlet is properly grounded. Do not modify the plug provided with the appliance—if it will not fit the outlet; have a proper outlet installed by a qualified electrician.



Installation PLANNING

You can easily install a Eureka Yellow Jacket™ central cleaning system in any new or existing coach. Please read these instructions completely before the first installation. These instructions are specific to the Yellow Jacket™ Central Vacuum installation instructions can be found on Eureka.com

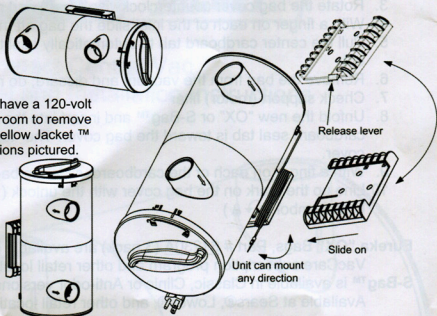
Choose Inlet Valve Location Use a 30 ft. measuring tape or vacuum hose to establish location of inlet valve.

Choose Power Unit Location Power unit should be centrally located so that it can be conveniently reached with the hose.

The power unit power supply cord needs to have a 120-volt grounded receptacle. Make sure you have room to remove the top lid for changing the filter bag. The Yellow Jacket™ may be mounted in any of the three orientations pictured.

There is a 4-way wall mount enabling the unit to slide in from any direction. Once the desired location is found, anchor the wall mount in place with (4 # 10 screws. Allow enough room to slide the power unit in to the wall mount.

NOTE: Exhaust air must be vented – not through the floor of RV or mobile homes to the outside, or into closed/sealed spaces.



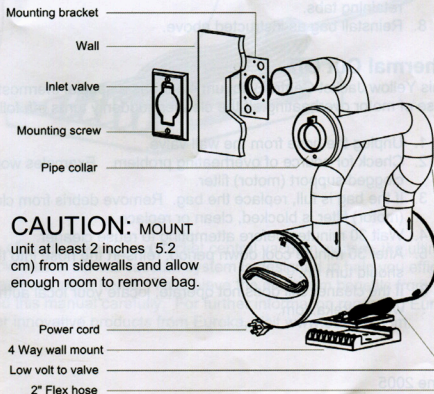
Install Power Unit Important! Slide power unit into the 4-way wall mount. Connect flex hose or PVC pipe to the "arrow in" power unit intake and tighten hose clamp. Attach low volt wire to Wall valve. Join one end of the flex hose to the "arrow out" exhaust port on the power unit. Bend the hose and locate where to cut the 2" hole to accommodate vent/exhaust tube. Put collar over tube and slide tube through hole in wall and tighten pipe collar. Use a screw to fasten the collar to the wall. Finally, connect power cord to Grounded outlet. For installation of CV140 use installation kit number 040359.

NOTE: A Thermal Cut-out protector is incorporated into each unit to protect the equipment from overheating or power overload.

NOTE: Do not exhaust through the floor to the outside of the motor coach, or into enclosed/sealed spaces.

Test System Vacuum is automatically activated when hose is inserted into inlet. This results in maximum cleaning convenience

Check power unit inlet valves for operation. This power unit is intended for household, RV and mobile home use.



Replacing the Eureka "OX" or S-Bag™ Dust Bag

- 1 The dust bag should be checked often. Even if the bag is not full, (it could be obstructed) fine dust and powder will reduce performance.
2. Unplug power unit from grounded outlet.
3. Rotate the bag cover counterclockwise (↶) and remove cover
4. With a finger on each of the inlet slide the bag off the inlet tube.
5. Pull the center cardboard tab to automatically seal the bag and prevent dust from leaking out.
6. Remove the bag from the vacuum and discard, do not reuse.
- 7 Check support (motor) filter
8. Unfold the new "OX" or S-Bag™ and insert into the Yellow Jacket™ so the center cardboard seal tab is toward the bag cover The "top" arrow should also point to the bag cover
9. With a finger on each of the cardboard, slide the bag on the inlet tube.
10. Line up the mark on the bag cover with the unlock (🔓) symbol and rotate clockwise to the Lock symbol (🔒)

Eureka "OX" Bags, Part # 61230A (3 pack) are available in Vac shops, www.Eureka.com ,
VacCare subscription program and other retail locations

S-Bag™ is available in Classic, Clinic or Anti-odor versions.

Available at Sears®, Lowes®, and other retail locations

Replacing/cleaning the support (motor) filter Eureka Part # 38333

- 1 Inspect during each bag change.
2. Should be cleaned every 5th bag replacement or when excessively dirty
3. Remove dust bag as instructed above.
4. Locate the support (motor) filter in the bottom of the bag compartment and lift out.
5. Clean by rinsing under warm water and let air dry if heavily soiled.
6. Replace (Eureka Part # 38333) if torn or obstructed.
- 7 Reinstall completely dry motor filter before use, making sure filter is tucked under retaining tabs.
8. Reinstall bag as instructed above.

Thermal Cut Off

This Yellow Jacket Central vacuum clear has a special thermostat that protects the cleaner in case of motor overheating. If the cleaner suddenly turns off follow this procedure:

- 1 Unplug the hose from the wall valve.
2. Check for source of overheating problem. Examples would be full bag, clogged hose, or clogged support (motor) filter
3. If the bag is full, replace the bag. Remove debris from clogged hose. If the support (motor) filter is blocked, clean or replace.
4. Wait 30 minutes before attempting to reuse cleaner
5. After 30 minute cool down period, reinsert the hose into the wall valve. The cleaner should turn on.
6. If the cleaner still does not operate, locate your local authorized Eureka Service Center at www.eureka.com.